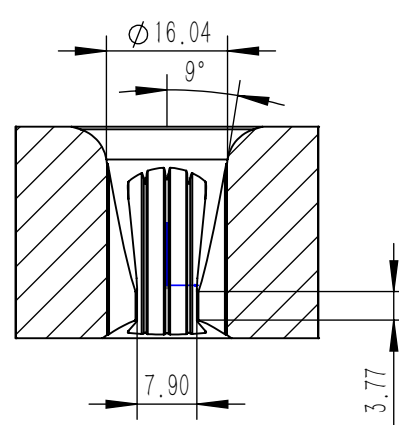
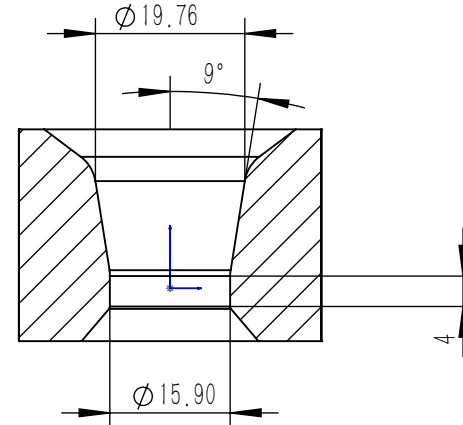


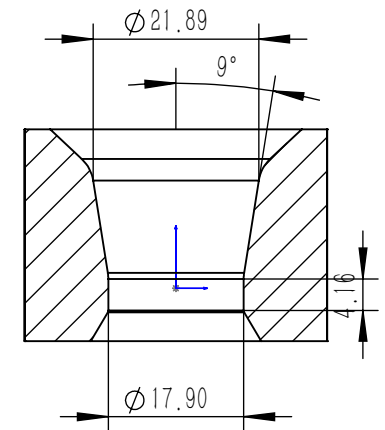
1



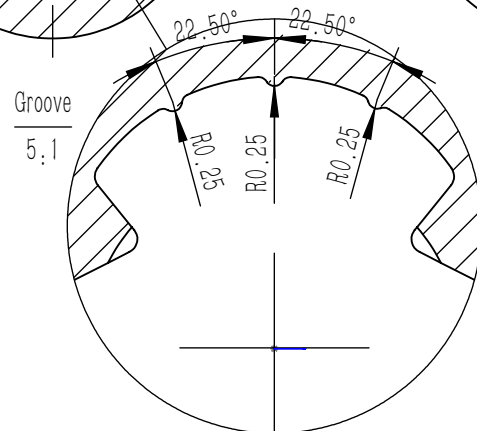
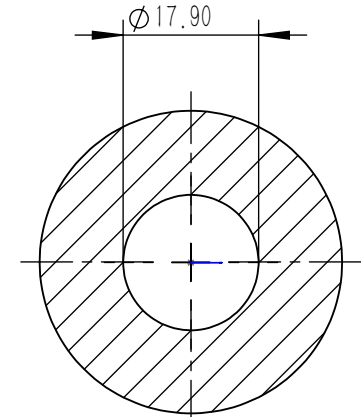
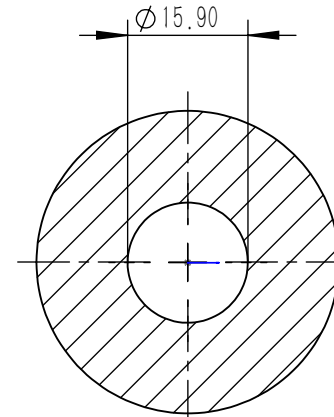
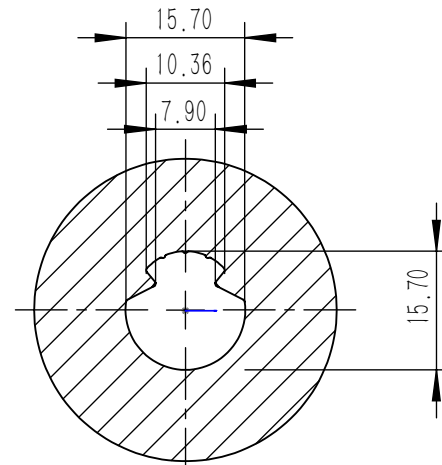
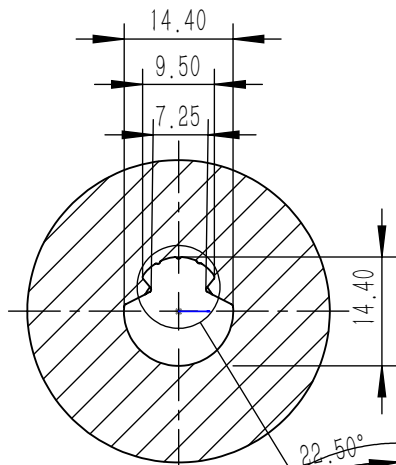
2



3



4



1. 14.4mm Round tungsten carbide
2. 15.7mm Round tungsten carbide
3. 15.9mm Shaped tungsten carbide
4. 17.9mm Shaped tungsten carbide

TITLE CONTACT WIRE — MN / CT150			
Tolerance 0.05	LAST UPDATED 05/07/23	SCALE 1:1	STANDARD TB/T2809-2005
UNITAS mm	SIZE A4	SHEET 1/1	SIGNATURE mnwiredie.com